



The **Airbeam Transfan** takes conditioned supply air from a pressurised ceiling void or plenum and distributes it into the occupied space. This does away with most of the ductwork required in the system, and enables the designer to introduce air wherever it is needed. It is ideal for use in retail units with high ceilings and mezzanine floors.

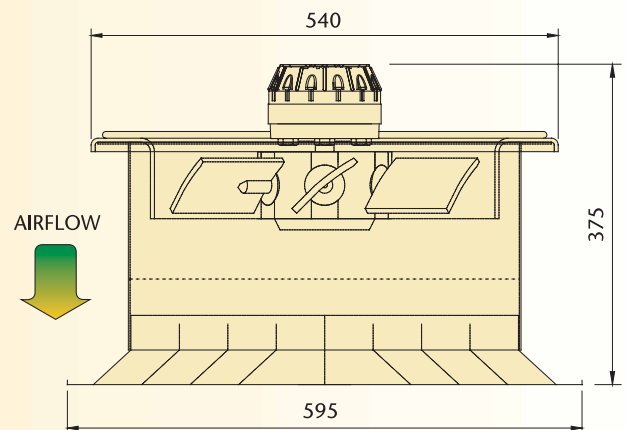
Features:

- One size 4 way blow diffuser, fits standard 595 x 595mm tile grid.
- Quiet operation – no more than 48 dBA (NR40 – 45) at 3 metres from diffuser.
- Air volume up to 0.80 m³/sec per unit.
- 5 fan speeds available.
- Low energy motor.
- Also available for extract applications.

Technical details:

- Plate mounted axial fan, model ABM 400/6-1, 900 rpm, 120 watts, 230 volts, 1 phase, FLC 0.54 amps at full speed. External rotor motor, class F, IP 54 rating, high temperature thermal cutout protection.
- Optional integral tapped transformer providing 5 speeds and genuine energy saving. For commissioning purposes only.
- 4 way blow contemporary diffuser, finished white polyester powder coated, RAL 9010, semi-gloss, removable centre core for ease of cleaning.
- Support sleeve between diffuser and fan, with safety fan guard.
- Total weight 18.0 kgs.

Dimensions



Speed Setting	Air Volume m ³ /sec	Watts	Amps	S. F. P. [▲] watts/litres/sec	Noise level @ 3 metres
1	0.35	9	0.10	0.024	37 dBA
2	0.50	25	0.20	0.049	42 dBA
3	0.60	45	0.30	0.074	44 dBA
4	0.70	54	0.30	0.077	46 dBA
5	0.80	120	0.54	0.150	48 dBA

[▲] Specific fan power, as detailed in Part L of the Building Regs.



Ventilation for the Nation

VES Andover Limited, Eagle Close, Chandlers Ford, Eastleigh, Hampshire SO53 4NF
 Tel: 08702 40 43 40 Fax: 08702 40 45 50
 e-mail: vesltd@ves.co.uk www.ves.co.uk

VES reserve the right to amend product specifications and details without notice.



ISO 9001-2000
 Cert. No. Q5375

© 2007 VES Andover Ltd.
 Issue 1 - 04/2007