

LIMPET

Ceiling Mounted Extract Fans



Super quiet running.

**Operation by
PIR, timeclock
or light switch.**

**Options include
vandal proof grille,
standard ceiling grille,
wall outlet shutters.**



Breathe Easy



Round spigot suits flexible ducting, soil pipe or spiral duct

Backdraught flap

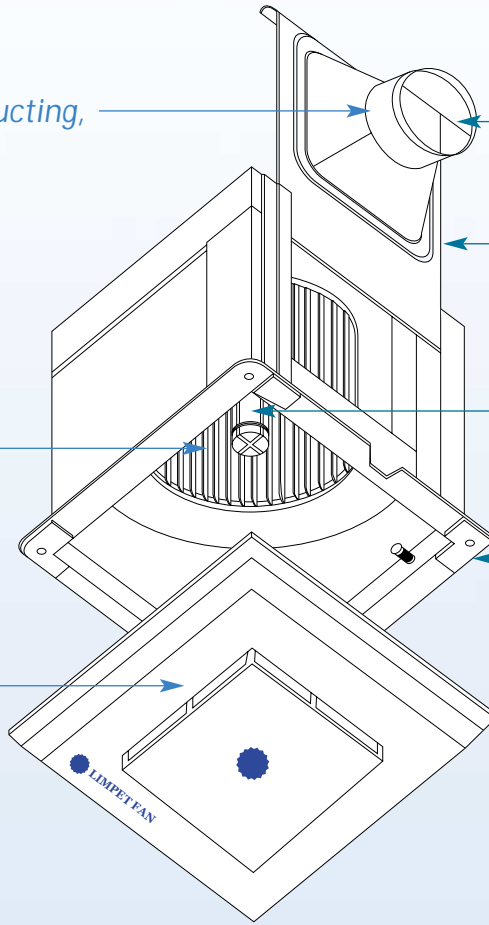
Removable outlet allows easy installation through ceiling

Super quiet centrifugal fan

Single phase motor with high temperature thermal cutout

Flange fits easily above or below ceiling

Modern discreet design air intake cover fits onto ceiling



Alternative conventional grille available with grille box supplied to support fan unit. See page 4.

LCE 170

LCE 240

LCE 300



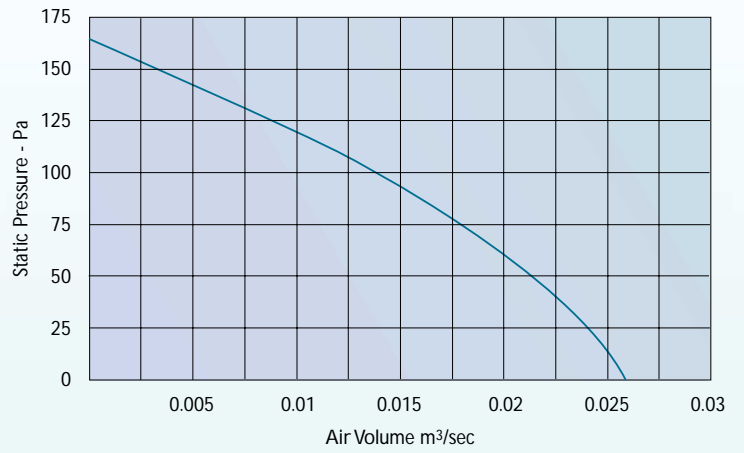
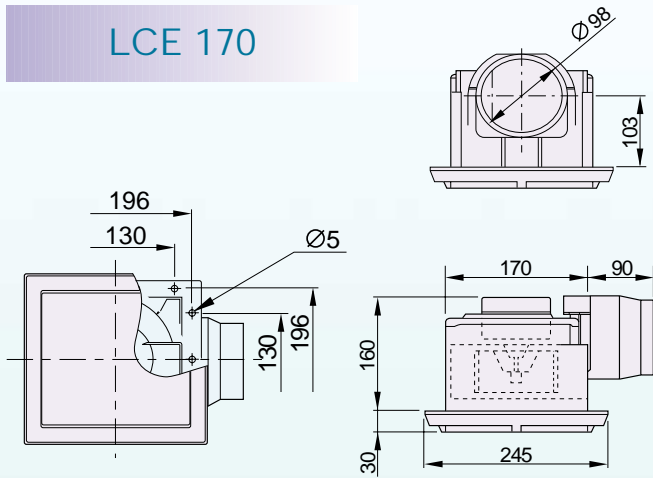
Technical Data

Model	Motor Output Watts	Full Load Current Amps	Fan Speed	Weight Kg	dBa @ 3 metres
LCE 170	13	0.11	1261	2.6	28
LCE 240	30	0.14	1050	3.4	32
LCE 300	36	0.17	711	4.2	34

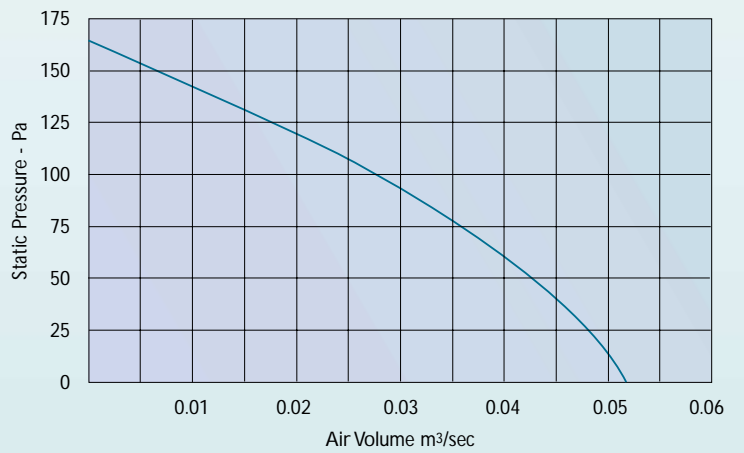
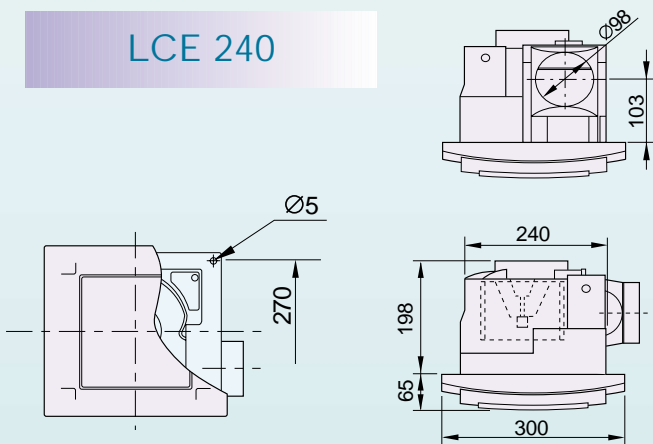
All units 230 volts 1 phase 50Hz.



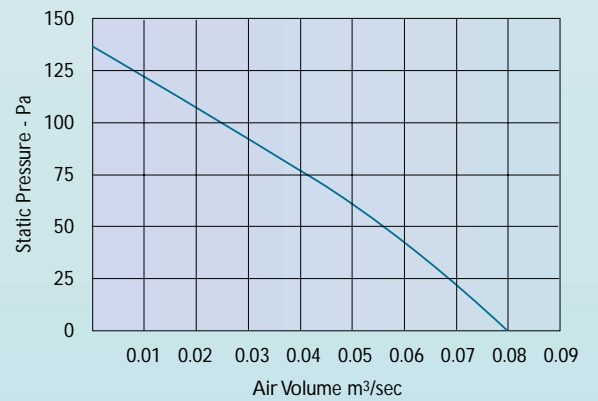
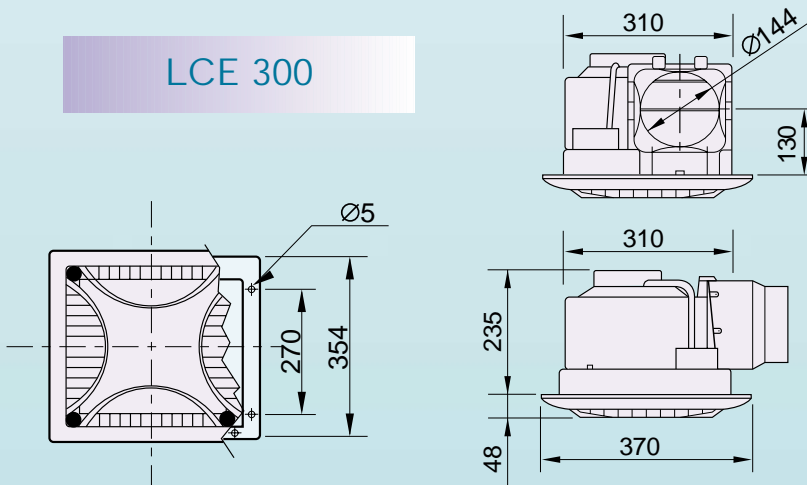
LCE 170



LCE 240



LCE 300





Recommended Room Air Change Rates:

- Offices 4-6
- Toilets 6-10
- Shower Areas 15-20
- Bedrooms 2-4
- Bathrooms 6
- Changing Rooms 6-10
- Store Rooms 2
- Conference Rooms 6-10

To work out the required air volume of the room to be ventilated, calculate room volume $L \times W \times H$ in cubic metres. Multiply room volume m^3 by number of air changes required, then divide result by 3600 for air volume in m^3/sec .

For minimum resistance to air flow through duct use 100mm or 150mm plastic soil pipe or spiral ducting. However, flexible ducting carefully installed may be the only solution for awkward roof spaces.

Limpet Options

PIR Operation

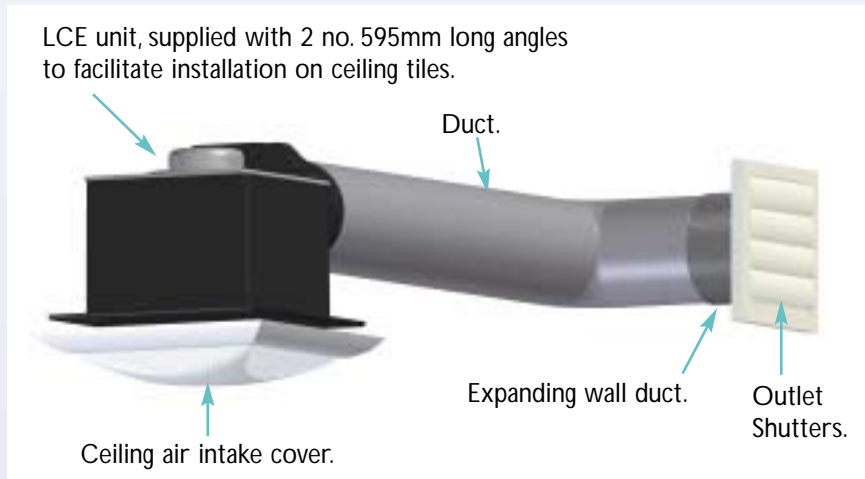
Wall or Ceiling Unit



Part No. ESPIR/W1

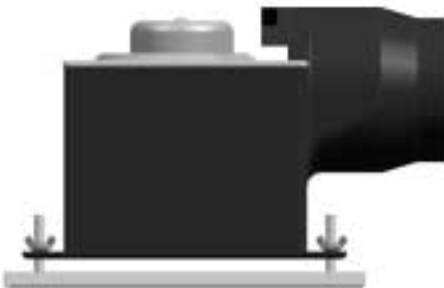


Part No. ESPIR/C1

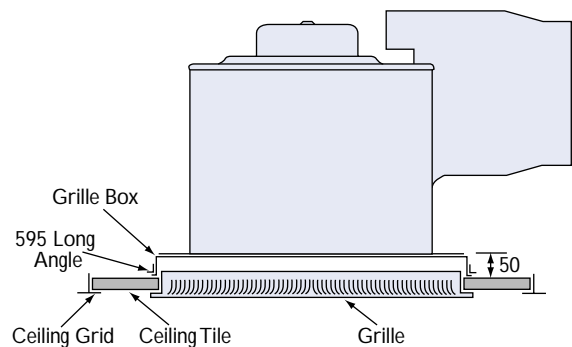


Vandal Proof Grille

1.2mm thick steel with no visible fixings, finished in tough white powder coat.



Alternative Inlet Grille



You may want to fit a pattress behind ceiling to support fan unit and grille.



We care about air

VES reserve the right to amend product specifications and details without notice.

VES Andover Limited
 Eagle Close, Chandlers Ford Industrial Estate,
 Chandlers Ford, Eastleigh, Hampshire SO53 4NF

Tel: 08702-40-43-40
 Fax: 08702-40-45-50
 e-mail: vesltd@ves.co.uk
 www.ves.co.uk



ISO 9001-2000
 Cert. No. Q5375