

SKYLINE

Low Silhouette Roof Extract Units

Curb mounting or profiled bases

Powerful performance

Low noise level units

Easy to install

Rapid delivery



We care about air

SKYLINE Roof Units

Packed with the features you require

Choice of Colours

Standard is light grey to BS00A05. Virtually any other colour is available

Performance

Seven models give duties from 0.05 to 5.0m³/sec with guaranteed performance. All units tested to BS848 Part 1



Robust Construction

Often fitted in exposed locations, **SKYLINE** units are built to withstand the strongest winds

Low Noise Levels

Larger **SKYLINE** Units are available with 700 and 550 RPM Fans



Supply, Extract or Without Fans

Versatile design gives option of extracting or supplying air, or for use as roof terminals

Easy to Install

Built in soaker sheets mean purlin boxes are unnecessary - saving you money

- *Rapid Delivery*
- *Competitive Prices*
- *Call the Standard Product Sales Team for help with selection and quotations*

SKYLINE Electrical Data

Model	Speed	240 V - 1 PH - 50Hz				415V - 3 PH - 50Hz				*Maximum Duty With 3ph Speed Control
		Motor Rating Watts	FLC Amps	SC Amps	Speed Controller	Motor Rating Watts	FLC Amps	SC Amps	Speed Controller	
SL 250	1400	92	1.0	1.8	V2	-	-	-	-	-
SL 315	900	370	2.2	4.1	V63	-	-	-	-	-
SL 315	1400	550	2.9	6.5	V63	-	-	-	-	-
SL 450	640	32	0.45	0.65	V2	40	0.2	0.4	SC 310	75%
SL 450	870	83	1.0	1.8	V2	83	0.37	0.95	SC 310	75%
SL 450	1370	310	2.2	5.9	V63	310	0.95	3.2	SC 310	75%
SL 630	650	160	1.9	3.4	V2	210	1.25	2.6	SC 310	75%
SL 630	890	430	3.3	7.5	V63	490	1.8	4.7	SC 310	75%
SL 710	540	110	1.8	3.0	V2	-	-	-	-	-
SL 710	650	210	2.3	3.7	V63	210	1.25	2.6	SC 310	100%
SL 710	870	490	3.8	8.2	V63	490	1.8	4.7	SC 310	75%
SL 800	695	800	5.9	12.0	V63	650	2.8	8.0	SC 310	100%
SL 800	920	-	-	-	-	2100	5.5	26.0	SC 310	100%
SL 1000	550	-	-	-	-	700	3.3	8.0	N/A	-
SL 1000	695	-	-	-	-	1400	4.7	14.0	N/A	-

* The 3 phase units are normally wired in delta for single speed operation.
When supplied for use with the SC 310 fan speed controller the 3 phase fans are wired in star, which reduces the maximum duty for some units.
Flameproof motors are available, consult sales office.

SKYLINE Fan Speed Controllers



SC 310



V2



V63

Model	Dimensions (mm)		
	Width	Height	Depth
SC 310	220	320	120
V2	90	150	45
V63	95	145	50

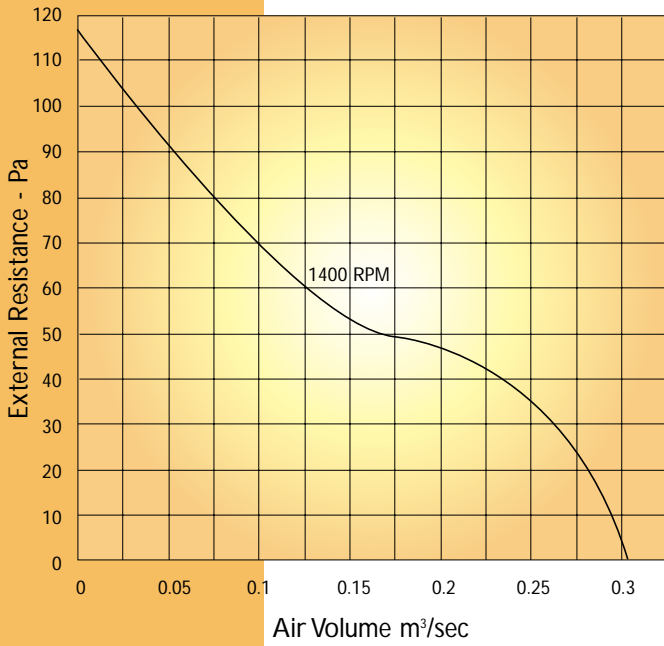
SKYLINE Sound Levels

Model	Speed	Sound Power Spectrum PWL - dB								Sound Level dBa @ 3 metres*
		Centre Frequency - Hz								
		63	125	250	500	1K	2K	4K	8K	
SL 250	1400	60	60	59	57	56	54	54	48	41
SL 315	900	58	58	57	55	54	52	52	46	39
SL 315	1400	68	68	67	65	64	62	62	56	49
SL 450	640	65	65	63	62	60	59	56	50	46
SL 450	870	69	69	68	66	65	63	63	57	50
SL 450	1370	79	79	78	76	75	73	73	67	60
SL 630	650	72	72	70	68	67	64	61	54	51
SL 630	890	77	79	79	77	75	74	71	65	60
SL 710	540	69	69	67	65	64	61	58	51	46
SL 710	650	74	74	72	70	69	66	63	56	53
SL 710	870	80	82	82	80	78	77	74	68	63
SL 800	695	80	82	79	74	72	70	65	57	57
SL 800	920	87	89	86	81	79	77	72	64	64
SL 1000	550	83	86	84	81	79	76	72	63	64
SL 1000	695	89	92	90	87	85	82	78	69	70

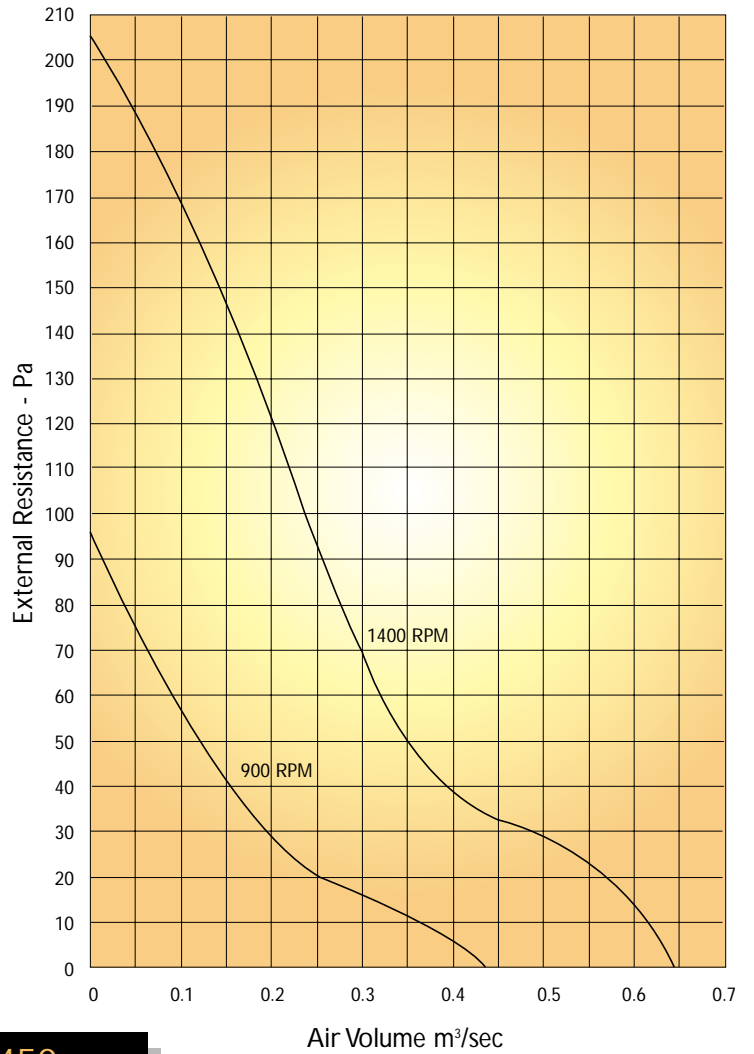
* Sound levels reduce at the rate of 6 dB per doubling of distance from the source under free field conditions. Therefore at 6 metres reduce the dBA levels in the table by 6 dB, and at 12 metres a further 6 dB.

SKYLINE Selection Charts

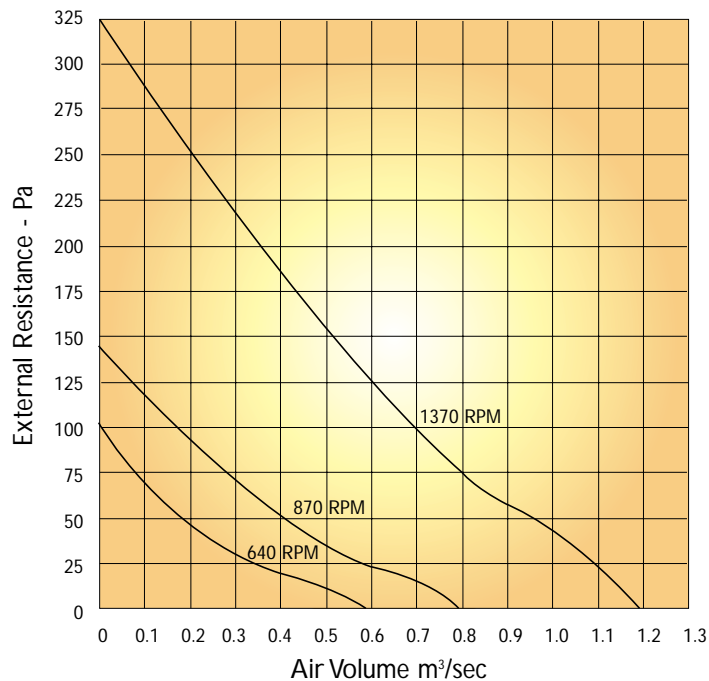
Model SL 250



Model SL 315

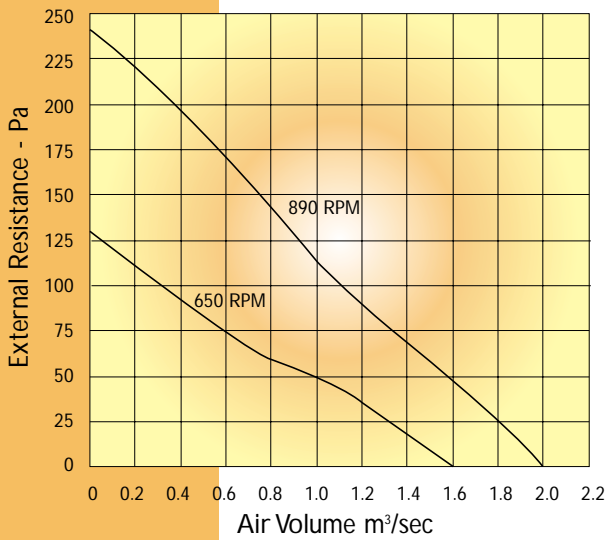


Model SL 450

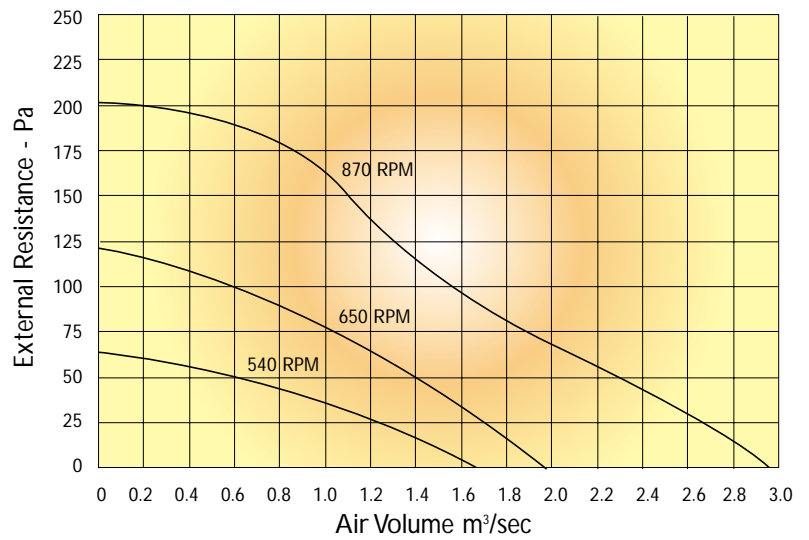


SKYLINE Selection Charts

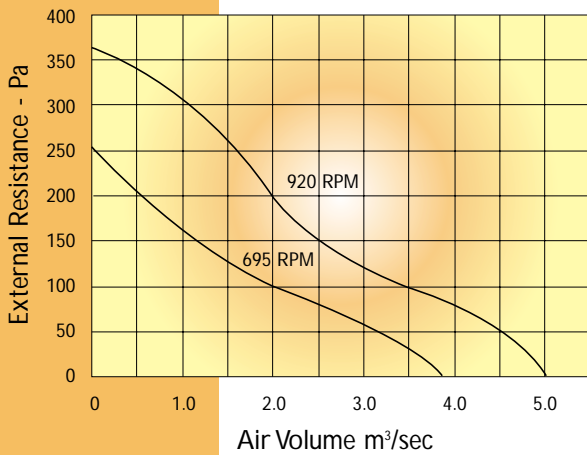
Model SL 630



Model SL 710

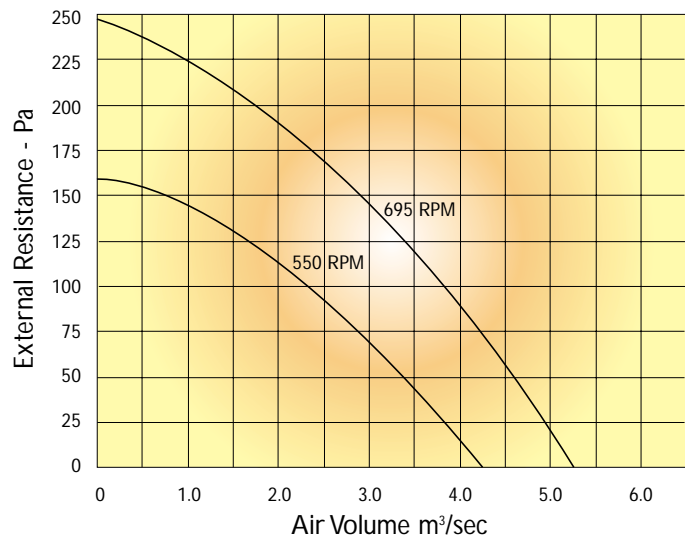


Model SL 800



The SL 800 920 RPM fan is not available with 240 volt, 1 phase motor.

Model SL 1000



The SL 1000 is not available with 240 volt, 1 phase motor.

- The 3 phase fans have to be wired in star for use with a speed controller. This reduces maximum duty to 75% of performance shown for some units. See page 3. This does not apply to the 1 phase units.

Backdraught Shutters

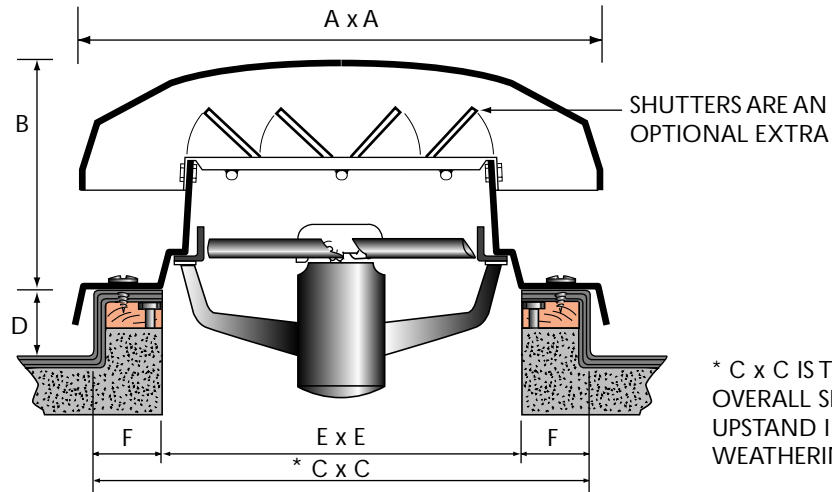
- The performance charts are without backdraught shutters fitted. Tests indicate that once open the shutters offer minimal resistance to airflow.

Vertical Jet Units

- Due to outlet cowl design vertical jet unit performance is 10% higher than above charts.

SKYLINE

Curb Mounting Low Silhouette Roof Extract Units

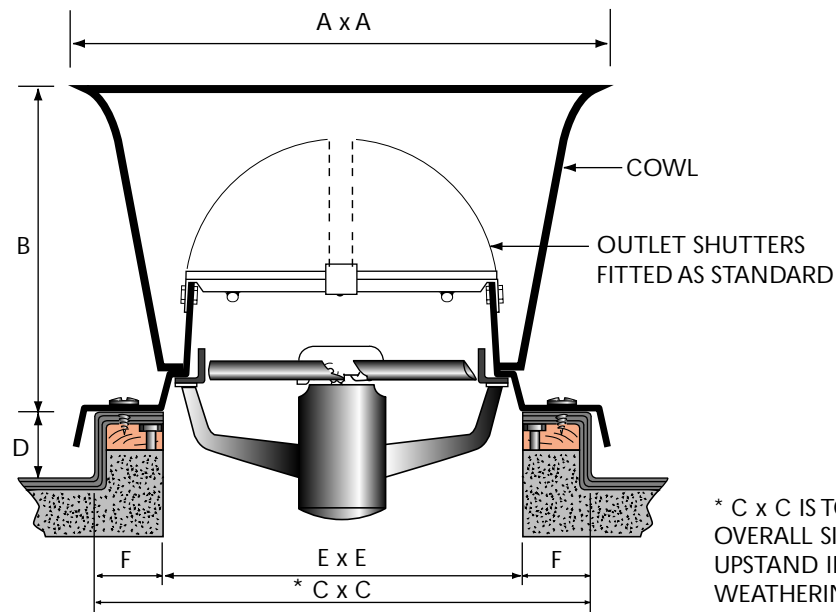


* C x C IS TO BE THE MAXIMUM OVERALL SIZE OF THE CURB UPSTAND INCLUDING ANY WEATHERING.

Model	A	B	C	D	E	F	Weight Kgs
SLC 250	510	240	400	125	330	35	10
SLC 315	635	280	580	125	480	50	13
SLC 450	864	310	800	125	650	75	20
SLC 630	1092	400	900	125	750	75	31
SLC 710	1092	475	1075	125	925	75	40
SLC 800	1370	400	1110	125	960	75	72
SLC 1000	1370	400	1350	125	1200	75	90

SKYLINE

Curb Mounting Vertical Jet Roof Extract Units

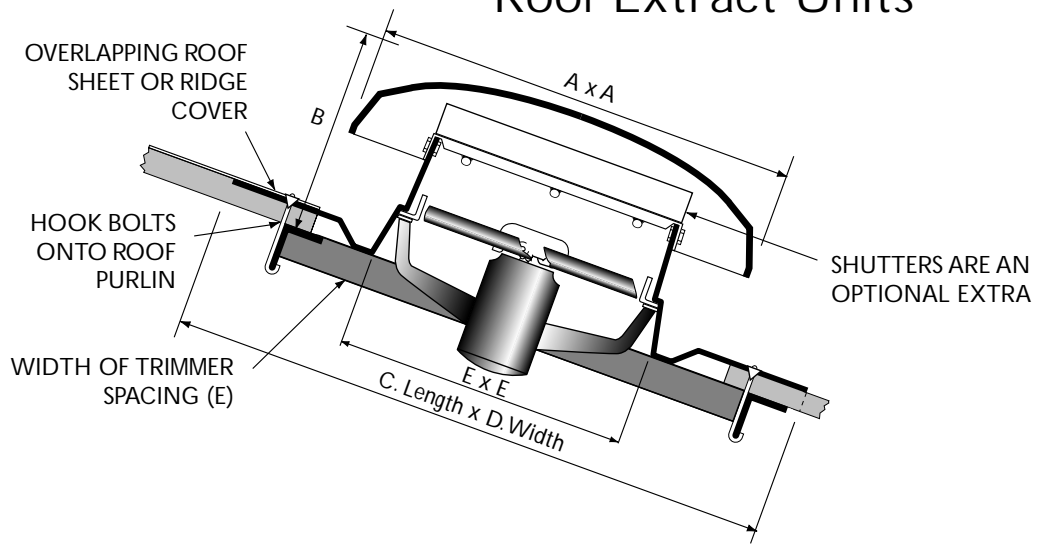


* C x C IS TO BE THE MAXIMUM OVERALL SIZE OF THE CURB UPSTAND INCLUDING ANY WEATHERING.

Model	A	B	C	D	E	F	Weight Kgs
SLC 315-VJ	585	405	580	125	480	50	16
SLC 450-VJ	760	510	800	125	650	75	24
SLC 630-VJ	915	610	900	125	750	75	37
SLC 710-VJ	1040	760	1075	125	925	75	48

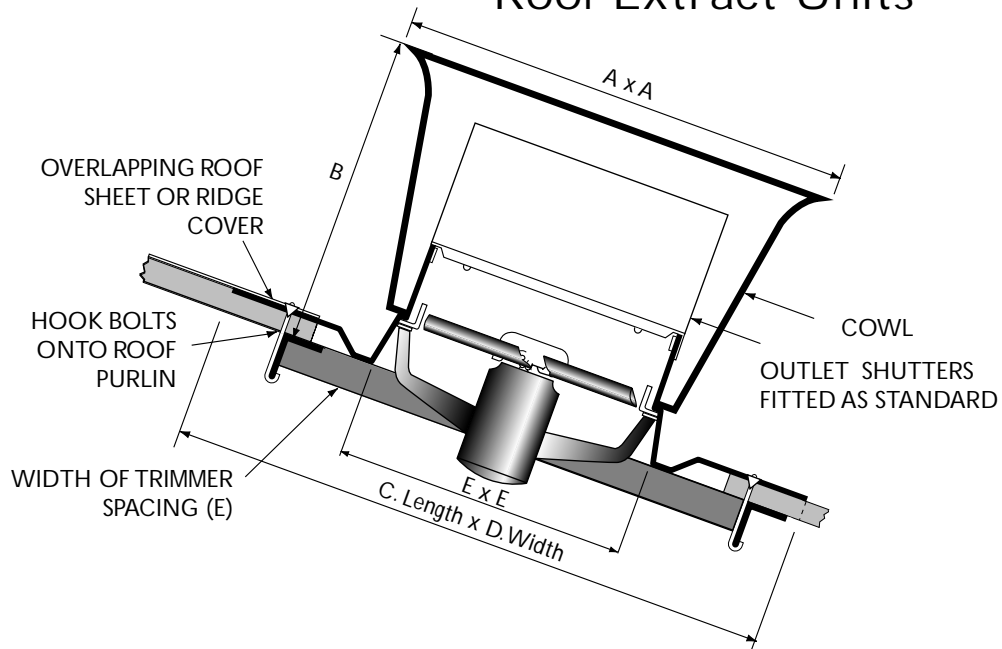
Note: Models 250, 800 and 1000 not available as VJ units.

SKYLINE Profiled Base Low Silhouette Roof Extract Units



Model	A	B	Flat Base		Profiled Base [§]		E*	Approx. Weight Kgs
			C	D	C	D		
SLP 250	510	240	800	800	1500	950	330	12
SLP 315	635	280	1000	800	1500	1067	480	16
SLP 450	864	310	1200	1000	1500	1067	650	25
SLP 630	1092	400	1500	1150	1900	1200	750	36
SLP 710	1092	475	1600	1325	1900	1270	925	48
SLP 800	1370	400	1800	1500	2000	1410	960	80
SLP 1000	1370	400	1800	1600	2200	1650	1200	100

SKYLINE Profiled Base Vertical Jet Roof Extract Units



Model	A	B	Flat Base		Profiled Base [§]		E*	Approx. Weight Kgs
			C	D	C	D		
SLP 315-VJ	585	405	1000	800	1500	1067	480	18
SLP 450-VJ	760	510	1200	1000	1500	1067	650	28
SLP 630-VJ	915	610	1500	1150	1900	1200	750	40
SLP 710-VJ	1040	760	1600	1325	1900	1270	925	54

§ The length and width of profiled bases can vary due to size of corrugations.

* Supporting trimmers are recommended for size SLP 800 and essential for SLP 1000.

Models SLP 250, SLP 800 and SLP 1000 not available as VJ units. See Page 8 for profiles available.

SKYLINE Technical Details

Fans

Impellers size 250, 315, 800 & 1000mm diameter moulded glass coupled polypropylene aerofoil blades. Impellers size 450, 630 & 710 aluminium clad steel. Motors aluminium cased, with sealed for life maintenance free bearings. High temperature overheat protection fitted on all non-flameproof single phase motors. Weatherproof to IP 55. Fan operating range -40°C to +50°C. Most sizes available with flameproof motors.

Electrical Supply

220-240 volt, 50Hz, 1 phase
380-420 volt, 50Hz, 3 phase

Air Volume

The fan performance curves have been measured to BS 848 Part 1. The tests were undertaken without backdraught shutters fitted.

Supply Air Units

SKYLINE fans can be configured to supply air into a building. Consult Standard Sales Office to discuss requirements.

Glass Fibre Housings

GRP construction conforms to BS 3532 (type C) but if specified may be supplied to BS 3532 (type E) having Class II fire retardant characteristics in accordance with BS 476 Part 7, 1971. Standard colour Light Grey to BS 00A05, most other BS colours can be supplied at extra cost.

The units are supplied with two mouldings, the cowl and base. The base can be for curb mounting or profiled to suit a corrugated roof. VES hold a large number of moulds for soaker sheet bases. New moulds are manufactured as necessary.

The cowl is secured to the base with a frame attached directly to the upstand on the base.

Motor Side Guard

To prevent accidental damage to the fan impellor from the inside of the building.

Bird Guard

Fits below cowls, particularly recommended for roof terminal units without fans.

SKYLINE Profiled Soaker Sheets

The following list some of the profiles available. Not all of those listed are available for every size of roof unit. New moulds can be made to order.

Atlas Major	Flat Base	R 32	TR 40S
Big Six	Fort	R 34	TRP 36
Double Six Metric	Major Six	R 38A	TT4 31
Double Six Imperial	Monad	R 60	Trafford Tile
Euro 900/26mm	Proclad 1200	Standard Six	Ward 950
Euro 1000/32mm	PMFR 60	TNT-B950	3" Standard Asbestos
Euroclad	R 30A	TR 36	3" Metal



We care about air

VES Andover Limited
Eagle Close, Chandlers Ford Industrial Estate,
Chandlers Ford, Eastleigh, Hampshire SO53 4NF

Tel: 08702-40-43-40
Fax: 08702-40-45-50
e-mail: vesltd@ves.co.uk
www.ves.co.uk



ISO 9001-2000
Cert. No. Q5375

VES reserve the right to amend details without notice.

Leaflet No. 780-3/00