

Where space is at a
minimum,
the answer is a...

Twinimum

LOW PROFILE
Twin Fan Units

Compact, high-powered

Ideal for ceiling voids

Duties up to 0.6 m³/sec



What is Twinimum?

Twinimum is a range of compact twin-fan units designed to fit in restricted spaces.

The Twinimum range is available in four sizes with air volumes up to 0.6m³/sec.

The Twinimum range's compact design makes it ideal for installation where space is at a premium – such as in ceiling voids.

All units are available on FAST TRACK – delivered direct to site throughout the UK mainland within 48 hours.



Closure of backdraught flap operates airflow switch which signals other fan to start

Choice of circular or rectangular connections

Top or bottom access

All units are acoustically lined to minimise noise breakout

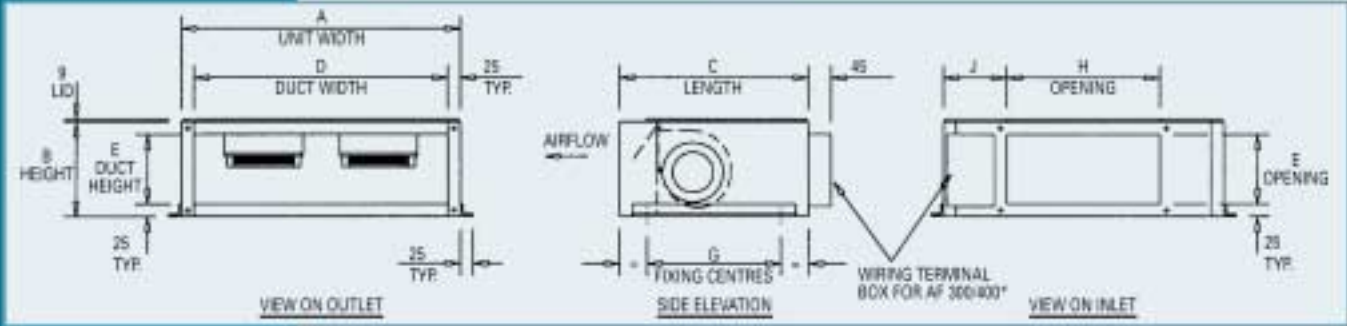
Double inlet centrifugal fans prewired to AF 500 autochangeover panel or to terminal box for use with remote AF 300 or AF 400 autochangeover panels

Feet and A.V. mounts supplied as standard

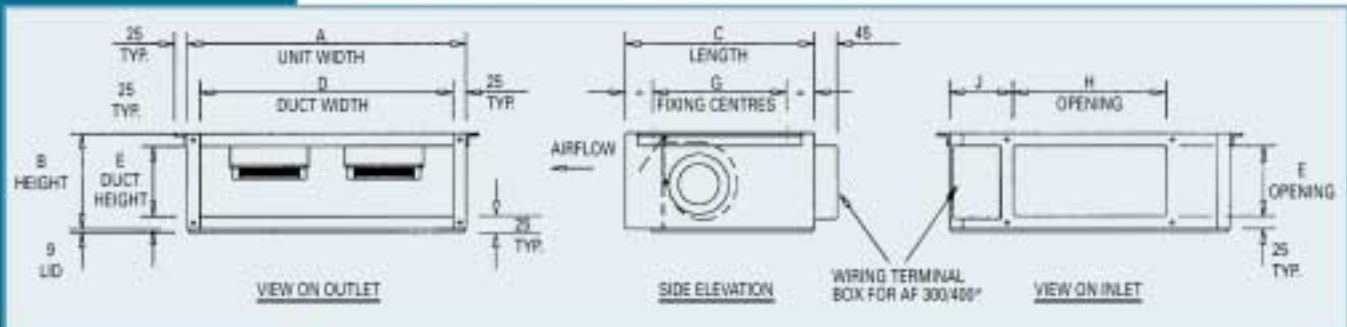
Matching silencers fit direct to unit inlet or to outlet plenum box

- Unit can also be vertically mounted for upward airflow
- Choice of auto changeover panels
- All units tested to BS 848 and manufactured to ISO 9001

Top access unit model TM 1, 2, 3 or 4



Bottom access unit model TM 1, 2, 3 or 4



State top or bottom access or vertical mounting on order

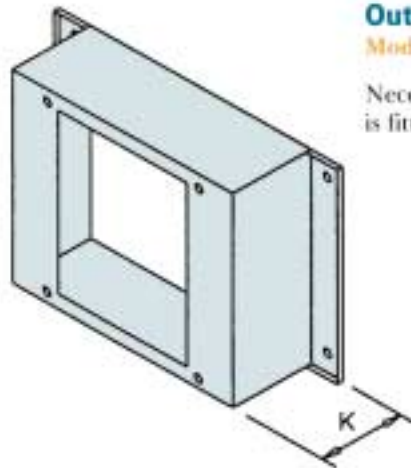
* AF 500 and isolator fitted on LHS looking in direction of airflow.

Model	A Unit Width	B Unit Height	C Unit Length	D Outlet Width	E Inlet/Outlet Height	F Spigot Diameter	G Fixing Centres	H Inlet Width	J Side to Inlet	K Plenum Length	Weight Kg
TM1	550	190	375	500	140	147	295	300	125	100	12
TM2	750	250	425	700	200	197	295	400	175	150	21
TM3	850	350	600	800	300	247	520	475	187	150	31
TM4	900	350	600	850	300	312	520	475	212.5	150	40

Notes

4 No. M6 hank-bushes fitted each end to accept silencer, plenum box or spigot plate and proprietary flange system.

Diameter "F" is sized to fit inside duct. If the flexible connection option is ordered, the diameter will be 10mm larger to enable flex to fit over duct.



Outlet plenum box

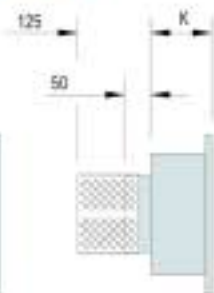
Model TMPL

Necessary if a circular spigot or silencer is fitted to outlet of unit.

Silencer plenum box with spigot

Model TMSPL (without flex)
Model TMSPF (with flex)

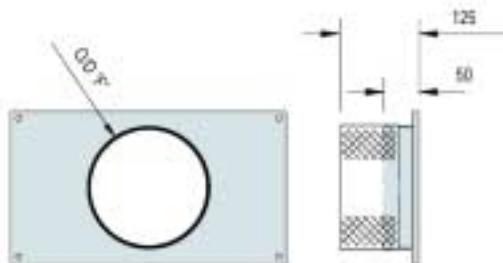
Fits direct to silencer on inlet or outlet.



Circular spigot

Model TMSPL (without flex)
Model TMSPF (with flex)

Fits direct to outlet plenum box or to inlet of unit.



Flexible connection

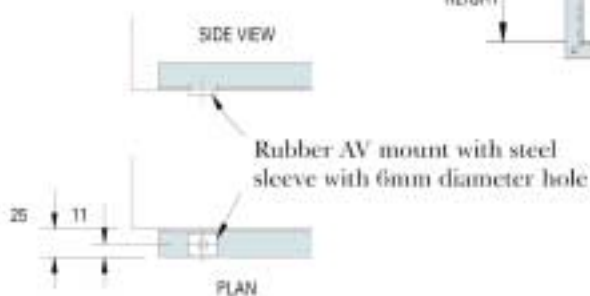
Model TMFF

Suitable for rectangular duct connection on outlet plenum box or inlet of unit.

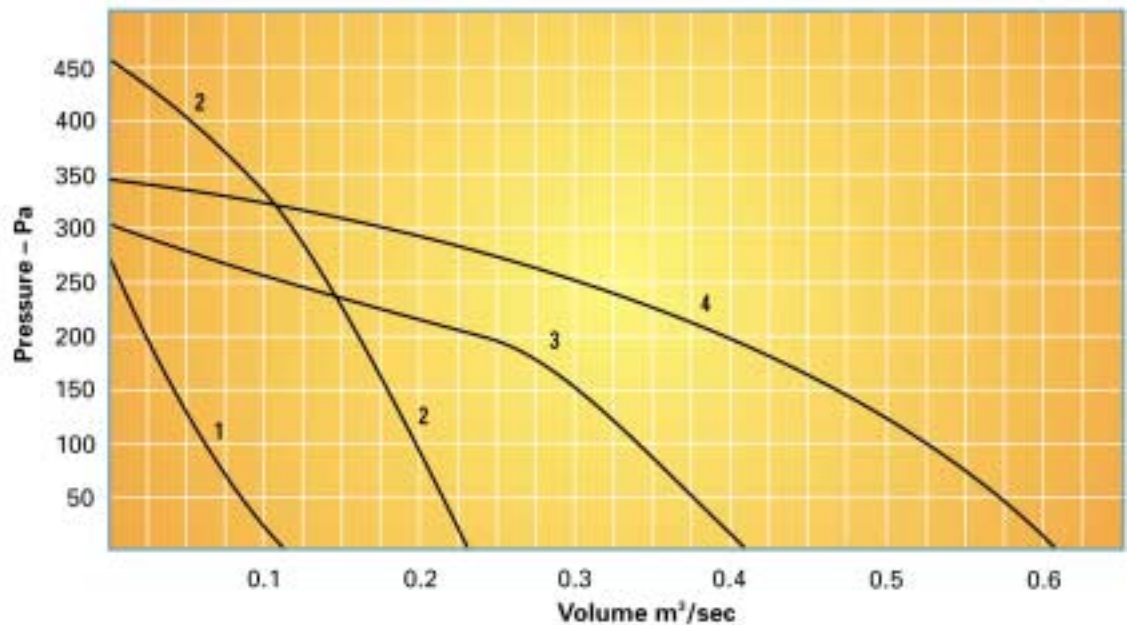


Mounting foot detail

(Fitted as standard)



Selection Curves



Auto changeover panels

AF 300

Remote panel which allows manual selection of either fan, with automatic changeover in the event of airflow failure from the selected fan. Immediate visual indication of system status with red, green and amber lights. Fans and airflow switches prewired to terminal box on Twinimum for wiring on site to AF300.

AF 400

As above but with additional feature of 12 hour duty sharing between the two fans.

AF 500

As above but panel fitted to Twinimum and remote status indicator supplied with simple two wire low voltage connection to main panel. Local isolator also fitted to minimise site wiring. Standard features include 24v or 230v remote start/stop signal from light switch, PIR etc; zero or 15 minute fan run on period; volt free indication of either fan running or common fail; provision for single external fan speed controller; automatic test of both fans prior to normal running; duty share time memory retention during off period. Additional features available include fitted 7 day time clock; 24v DC fire alarm shut down.



Model	Motor output power (watts)	FLC (A)	Fan speed	Fan model
TM1	109	0.45	1510	AL121
TM2	325	1.37	1800	AL321
TM3	405	1.80	1280	AL441
TM4	612	2.96	1380	AL541



Model	Dimensions in mm			Plus knob
	W	H	D	
AF300	120	188	57	20
AF400	222	145	55	20
AF500	175	175	110	-
Remote	Single gang mounting			

Noise levels – Sound Power Level dB ref 10⁻¹² w PWL

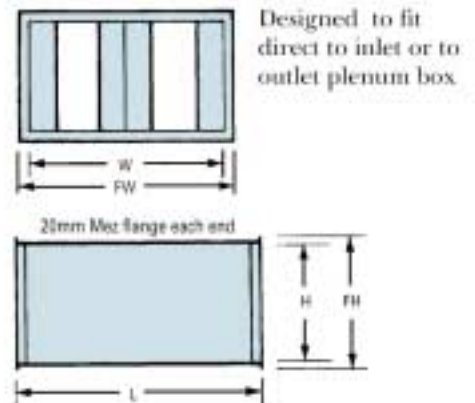
Unit Size	SPL dBA*	Centre Frequency – Hz								Sound breakout at 1 metre from case
		63	125	250	500	1000	2000	4000	8000	
TM1	47	40	49	55	55	65	61	59	56	NR 35
TM2	55	50	59	62	60	64	63	62	57	NR 40
TM3	52	44	52	60	60	53	60	58	55	NR 35
TM4	66	58	72	71	70	75	75	73	71	NR 50

* At 3 metres from outlet, free field

Silencer dimensions

Silencer Model	To Fit Model	Dimensions in mm					Weight Kg
		W	H	L	FW	FH	
TMS1	TM1	300	140	750	340	180	9
TMS2	TM2	400	200	750	440	240	15
TMS3	TM3	475	300	750	515	340	18
TMS4	TM4	475	300	1200	515	340	29

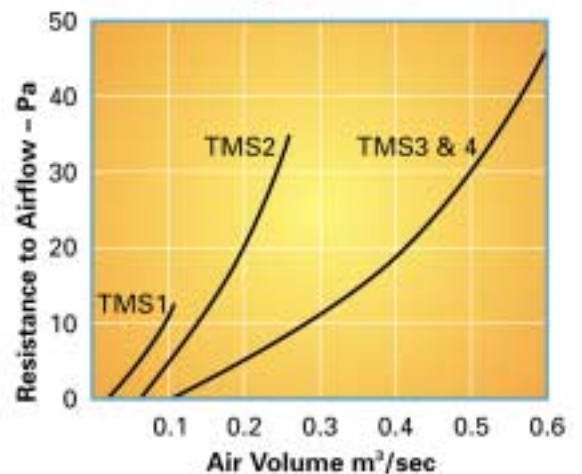
Silencers



Silencer insertion loss, dB

Silencer Model	Centre Frequency – Hz							
	63	125	250	500	1K	2K	4K	8K
TMS1	4	5	6	14	24	25	20	17
TMS2	4	5	7	16	24	27	20	18
TMS3	4	5	8	15	24	26	19	17
TMS4	6	8	12	19	28	30	24	21

Silencer air pressure loss



VES Andover Limited
 Eagle Close, Chandlers Ford Industrial Estate,
 Chandlers Ford, Eastleigh, Hampshire SO53 4NF
 Tel: 08702 40 43 40
 Fax: 08702 40 45 50
 e-mail: vesltd@ves.co.uk
 www.ves.co.uk

VES reserve the right to amend product specifications and details without notice.



ISO 9001:2000
 Cert. No. Q5375

© 2005 VES Andover Ltd.
 Issue 3 - 04/2005